

## COL5844BN 4CH IRD



### Outline

COL5844BN IRD is our new design which integrates demodulation (DVB-C, T/T2, S/S2 optional), de-scrambler and multiplexing in one case to convert RF signals into TS output.

It is a 1-U case which supports 4 tuner inputs, 1 ASI and IP. The 4 CAMs/CIs accompanied can descramble the programs input from encrypted RF, ASI and IP. The CAM requires NO unsightly external power cords, cables, or additional remote control device.

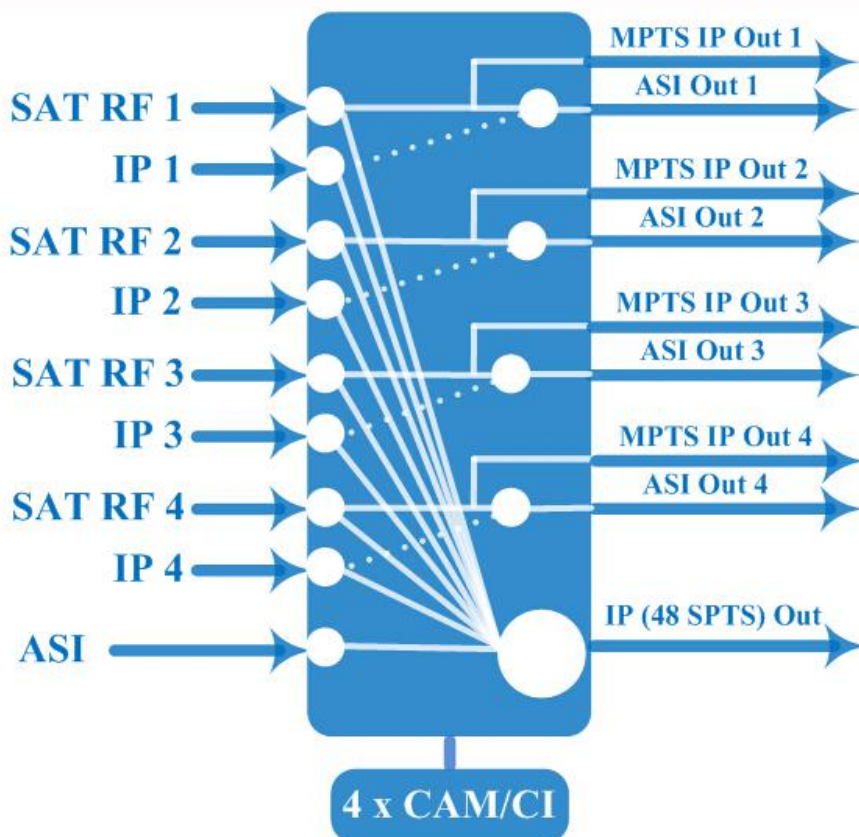
To meet customers' various requirements, COL5844BN is also designed to de-mux programs from any input, and output TS over 48 SPTS UDP. & 4 MPTS UDP, RTP/RTSP

### Feature

- ✓ 4 Tuner inputs (DVB-C, T/T2, S/S2 Optional)
- ✓ 1 ASI & 4 IP (UDP) input for de-mux
- ✓ One CAM can decrypt multiple programs from Tuners/ASI/IP

- ✓ IP (48 SPTS) over UDP and RTP/RTSP output;
- ✓ 4 groups of independent ASI out for tuner/IP passthrough (one-to-one)
- ✓ Support maximum 128 PID mapping per input
- ✓ LCD display, Remote control and Firmware, web NMS management
- ✓ Updates via web
- ✓ Best quality and breakthrough price

### **Principle Chart**



**Choose 4 channels from the 9 inputs to descramble**  
**CI 1 & 2 are designed to descramble tuner 1/2, ASI or IP 1-4.**  
**CI 3 & 4 are designed to descramble tuner 3/4, ASI or IP 1-4.**  
**ASI out and MPTS IP out are for passthrough RF/IP inputs one to one.**

### **Specifications**



<b>Input</b>	4x RF (DVB-C, S/S2 optional), F type	
	1×ASI input for de-mux, BNC interface	
	4xIP input for de-mux (UDP)	
<b>Tuner Section</b>		
	<b>Standard</b>	J.83A(DVB-C), J.83B, J.83C
<b>DVB-C</b>	<b>Input Frequency</b>	47 MHz~860 MHz
	<b>Constellation</b>	16/32/64/128/256 QAM
<b>DVB-S</b>	<b>Input Frequency</b>	950-2150MHz
	<b>Symbol rate</b>	2-45MSPS
	<b>Signal Strength</b>	- 65- -25dBm
	<b>Constellation</b>	1/2, 2/3, 3/4, 5/6, 7/8 QPSK
<b>DVB-S2</b>	<b>Input Frequency</b>	950-2150MHz
	<b>Symbol rate</b>	QPSK 1~45Mbauds; 8PSK 2~30Mbauds
	<b>Code rate</b>	1/2, 3/5, 2/3, 3/4, 4/5, 5/6, 8/9, 9/10
	<b>Constellation</b>	QPSK, 8PSK
<b>DVB-T/T2</b>	<b>Input Frequency</b>	44-1002 MHz
	<b>Bandwidth</b>	6M, 7M, 8M
<b>Output</b>	<b>IP</b>	48*SPTS over UDP, RTP/RTSP. 1000M Base-T Ethernet interface (unicast / multicast) 4*MPTS over UDP, RTP/RTSP. 1000M Base-T Ethernet interface, for RF in passthrough



		(one-to-one)
	<b>ASI</b>	4 groups BNC interface, for RF or IP in passthrough (one-to-one)
<b>System</b>	<b>Local interface</b>	LCD + control buttons
	<b>Remote management</b>	Web NMS Management
	<b>Language</b>	English
<b>General</b>	<b>Power supply</b>	AC 100V~240V
	<b>Dimensions</b>	482*400*44.5mm
	<b>Weight</b>	3 kgs
	<b>Operation temperature</b>	0~45°C